

SURFACE MOUNTED PUMPS

SWIMMING POOL PUMPS SELF-PRIMING

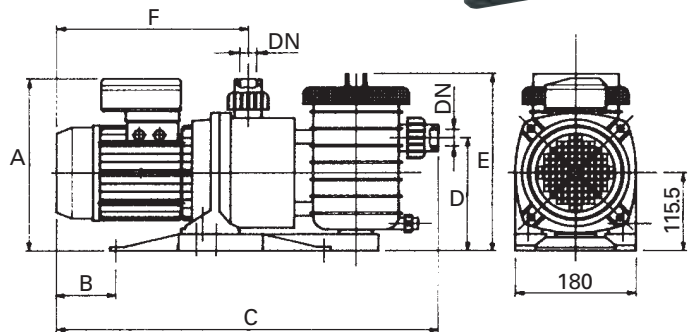
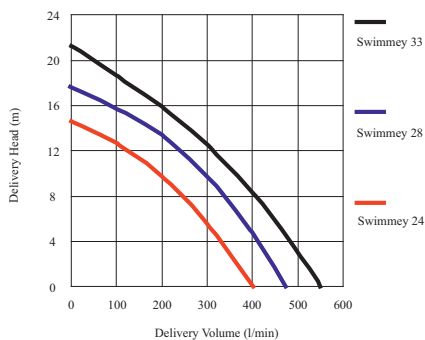
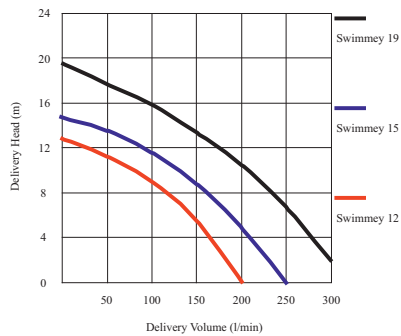
E

SWIMMEY 230v RANGE

MODEL	KG	kW	HP	LM/HM	CODE	PRICE
SWIMMEY 12M	8	0.37	1/2	210/13	014-010	
SWIMMEY 15M	8.5	0.5	3/4	250/15	014-012	
SWIMMEY 19M	10.2	0.75	1	310/20	014-014	
SWIMMEY 24M	11	1	1.3	400/15	014-016	
SWIMMEY 28M	13	1.13	1.5	480/17	014-038	
SWIMMEY 33M	14.5	1.5	2	550/20	014-040	

SWIMMEY 415v RANGE

MODEL	KG	kW	HP	LM/HM	CODE	PRICE
SWIMMEY 12T	8	0.37	1/2	210/13	014-011	
SWIMMEY 15T	8.5	0.5	3/4	250/15	014-013	
SWIMMEY 19T	10.2	0.75	1	310/20	014-015	
SWIMMEY 24T	11	1	1.3	400/15	014-017	
SWIMMEY 28T	13	1.13	1.5	480/17	014-039	
SWIMMEY 33T	14.5	1.5	2	550/20	014-041	



Model	Dimensions mm							Weight Kg
	A	B	C	D	E	F	DN	
SWIMMEY 12	230	35	565	183	280	240	48.5mm/50mm/1 1/2" BSP	8
SWIMMEY 15	230	35	565	183	280	240	48.5mm/50mm/1 1/2" BSP	8.5
SWIMMEY 19	240	58	590	183	280	255	48.5mm/50mm/1 1/2" BSP	10.2
SWIMMEY 24	240	87	610	183	280	285	48.5mm/50mm/1 1/2" BSP	11
SWIMMEY 28	260	112	635	183	280	310	48.5mm/50mm/1 1/2" BSP	13
SWIMMEY 33	260	112	635	183	280	310	48.5mm/50mm/1 1/2" BSP	14.5

SWIMMEY – COMMON PARTS

E

PART	DESCRIPTION	CODE	PRICE	PART	DESCRIPTION	CODE	PRICE
1	BODY 12-19	014-072		24	SEAL 12-19	014-047	
1	BODY 24-33	014-070		24	SEAL 24-33	014-043	
21	IMPELLER 12	014-050		25	BODY O RING	014-078	
21	IMPELLER 15	014-052		225	O RING	014-099	
21	IMPELLER 19	014-054		224	JOINT/WHITE 48.5mm	014-074	
21	IMPELLER 24	014-056		224	JOINT/BLACK 50mm	014-075	
21	IMPELLER 28	014-058		224	JOINT/THREADED 1 1/2" BSP	014-073	
21	IMPELLER 33	014-060		226	UNION NUT	014-076	
9	VOLUTE 12	014-022		223	KNUCKLE	014-096	
9	VOLUTE 15-19	014-024		221	COVER	014-066	
9	VOLUTE 24-33	014-028		222	O RING	014-068	
26	BACKPLATE 12-19	014-026		120	BASKET	014-064	
26	BACKPLATE 24-33	014-046		5	PLUG	014-098	
216	SEAL SLEEVE 12-19	014-020		69	BASE	014-062	
216	SEAL SLEEVE 24-33	014-018					

