

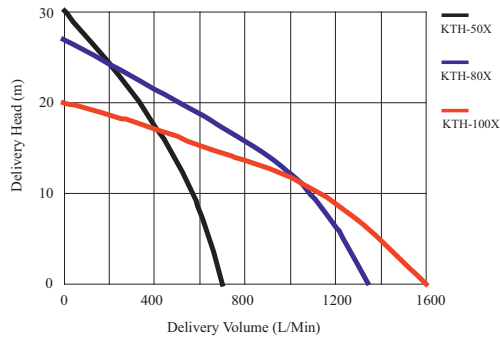
# ENGINE DRIVEN PUMPS

## TRASH DUTY ENGINE PUMPS, HONDA POWERED WITH OIL ALERT

**C**

Petrol engine trash duty pumps for sewage and muck. Large easy off front cover for cleaning SIC mechanical seals and Hi Chrome Impeller and Spheroidal Graphite Iron volute and solid handling up to 2"-20mm / 3" 27mm / 4"-30mm.

Model	Engine	Inlet/Outlet	kg	WxLxH mm	Max l/min	Max Head/m	Code	Price
KTH50x	GX160	2"	51	656x498x524	700	30	050-074	
KTH80x	GX240	3"	63	721x516x585	1340	27	050-076	
KTH-100x	GX340	4"	85	790x580x675	1600	20	050-078	



KTH-50X



## DIESEL POWERED TRASH PUMPS – RECOIL START C/W FULL CRASH FRAME & WHEEL KIT

**C**

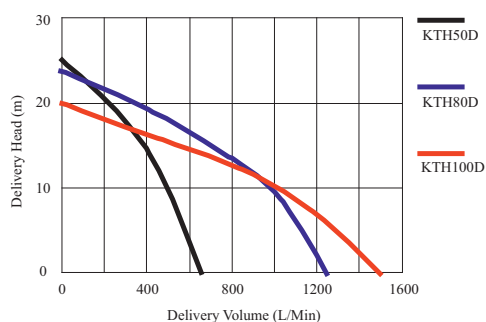
Heavy duty Koshin trash duty pumps mounted to Hatz diesel engines. For very dirty water and trash duty. Solids handling up to: 2" - 20mm / 3" - 27mm / 4" - 30mm. SIC Mechanical seals and Hi Chrome impeller and Spheroidal Graphite Iron volute.

Model	Engine	Inlet/Outlet	kg	WxLxH mm	Max l/min	Max Head/m	Code	Price
KTH-50DHR	Hatz1B20	2"x2"	54	700x800x710	650	25	050-052HR	
KTH-80DHR	Hatz1B30	3"x3"	99	700x800x710	1250	24	050-082HR	
KTH-100DHR	Hatz1B40	4"x4"	140	700x1300x820	1550	20	050-087HR	

## DIESEL POWERED TRASH PUMPS – ELECTRIC START C/W FULL CRASH FRAME & WHEEL KIT

**C**

Model	Engine	Inlet/Outlet	kg	WxLxH mm	Max l/min	Max Head/m	Code	Price
KTH-50DHES	Hatz1B20	2"x2"	54	700x800x710	650	25	050-052HES	
KTH-80DHES	Hatz1B30	3"x3"	99	700x800x710	1250	24	050-082HES	
KTH-100DHES	Hatz1B40	4"x4"	140	700x1300x820	1550	20	050-087HES	



KTH-80DHES  
Available with Yanmar engines  
subject to availability

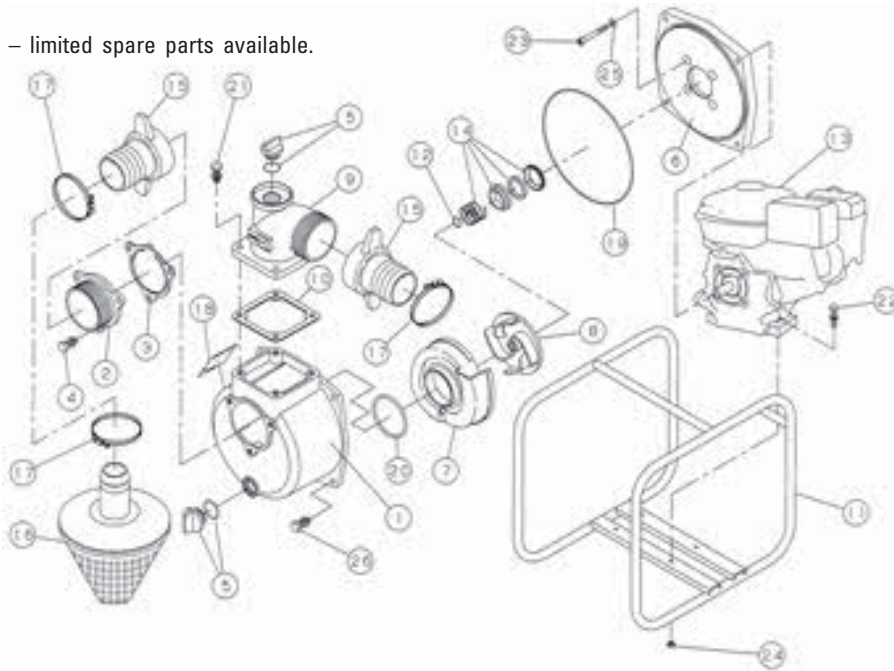


# COMMON SPARE PARTS FOR ENGINE PUMPS



PART -	1	2	3	5a	5b	6	7	8	9	10	14	15	19	20	
MODEL	PUMP CASE	SUCTION FLANGE	CHECK VALVE	DRAIN BUNG	FILLER BUNG	FLANGE BRACKET	VOLUTE	IMPELLER	DELIVERY FLANGE	GASKET	SEAL	HOSE TAILS EACH	O RING CASE	O RING VOLUTE	
SE-25L ECO-25GR NEW	0113329 050-960	0113325 050-966	0113326 050-967	0148010 050-600	0118450 050-973	0114992 050-963	0112528 050-964	0114993 050-965		N/A	N/A	0140273 050-968	0348015 050-952	890255031 050-969	889855042 050-972
SEM-25L TU-22	0113329 050-960	0113325 050-966	0113326 050-967	0148010 050-600	0118450 050-973	0115987	0115986	0115985		N/A	N/A	0116054	0348015 050-952	890255031 050-969	889855042 050-972
*SCR-25R EY08	200200100	200200650	200900140	200500040	200500040	200200430	200210160	200210150	200200650	200800080	201100021	0348015 050-952	200900340	200900230	
*SEH-25 G100	0113330 050-940	0114002 050-947	0113328 050-948	0118078 050-604	0118078 050-604	0110579 050-942	0114225 050-944	0111447 050-946	0111449 050-949	0110593 050-950	0110673 050-951	0348015 050-952	890255043 050-953	889855048 050-954	
SEH-25 GXH-50	0113330 050-940	0114002 050-947	0113328 050-948	0118078 050-604	0118078 050-604	0116926	0116994	0116937	0111449 050-949	0110593 050-950	0110685 050-942	0348015 050-952	890255043 050-953	889855048 050-954	
*SEH-50X GX120- OLD	0112578 050-684	0112662 050-644	0112665 050-664	0118078 050-604	0118078 050-604	0112579 050-864	0113175 050-743	0111780 050-804	0110556 050-704	0110541 050-724	0110688 050-844	0117026 050-624	0115014 050-784	011279201 050-764	
*SEH-50X GX120- NEW	0112578 050-684	0112662 050-644	0112665 050-664	0118078 050-604	0118078 050-604	0112579 050-864	0114640 050-744	0113532 050-805	0110556 050-704	0110541 050-724	0110688 050-844	0117026 050-624	0115014 050-784	011279201 050-764	
SEH-50X GX120 BEJ	0112578 050-684	0112662 050-644	0112665 050-664	0118078 050-604	0118078 050-604	0115268	0114640 050-744	0116616	0110556 050-704	0110541 050-724	0114090	0117026 050-624	0115014 050-784	011279201 050-764	
*SEH-80X GX-160 OLD	0112795 050-686	0112797 050-646	0112799 050-666	0118078 050-604	0118079 050-607	0112796 050-866	0113176 050-746	0110532 050-806	0110570 050-706	0110584 050-726	0110664 050-846	0117028 050-626	0115015 050-786	0113989 050-766	
*SEH-80X GX-160 NEW	0112795 050-686	0112797 050-646	0112799 050-666	0118078 050-604	0118079 050-607	0112796 050-866	0114379 050-747	0114376 050-807	0110570 050-706	0110584 050-726	0110664 050-846	0117028 050-626	0115015 050-786	0113989 050-766	
SEH-80X GX-160 BEJ	0112795 050-686	0112797 050-646	0112799 050-666	0118078 050-604	0118079 050-607	0115269	0114379 050-747	0116617	0110570 050-706	0110584 050-726	0114090	0117028 050-626	0115015 050-786	0113989 050-766	
SEH-50T GX-120	0112578 050-684	0112662 050-644	0112665 050-664	0118078 050-604	0118078 050-604	0114027	0115169	0115168	0110556 050-704	0110541 050-724	0115159	0117026 050-624	0115014 050-784	011279201 050-764	
SEH-80T GX-160	0112795 050-686	0112797 050-646	0112799 050-666	0118078 050-604	0118079 050-607	0112796 050-866	0115541	0115539	0110570 050-706	0110584 050-726	0115159	0117028 050-626	0115015 050-786	0113989 050-766	
SERH-50B GX160	0114184 050-692	0114003 050-650	0112799 050-666	0118079 050-607	0118078 050-604	0110568 050-870	0112818 050-750	0112861 050-810	0114209 050-712	0110584 050-726	0110863 050-846		0115016 050-792	0113989 050-766	
SERH-50 GX240	0114184 050-692	0114004 050-652	0112799 050-666	0118079 050-607	0118078 050-604	0110722 050-872	0112819 050-752	0112862 050-812	0114209 050-712	0110584 050-726	0110862 050-852		0115016 050-792	0113989 050-766	

\*Discontinued models – limited spare parts available.

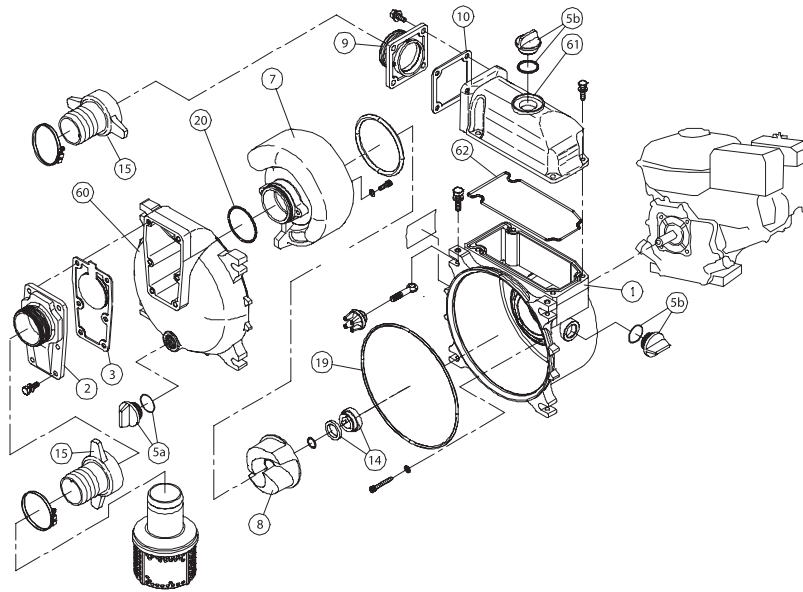


# COMMON SPARE PARTS FOR ENGINE PUMPS

## TRASH PUMP SPARES

**C**

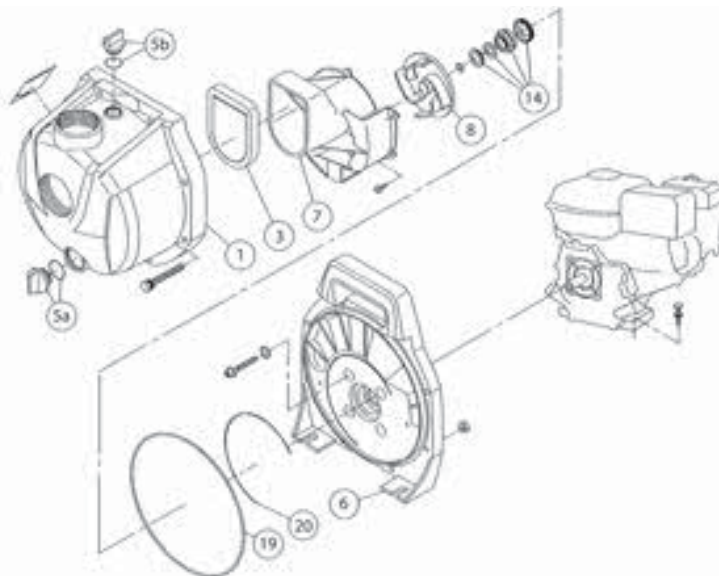
PART -	1	2	3	5a	5b	6	7	8	9	10	14	19	20	60	61	62
MODEL	PUMP CASE	SUCTION FLANGE	CHECK VALVE	DRAIN BUNG	FILLER BUNG	FLANGE BRACKET	VOLUTE	IMPELLER	DELIVERY FLANGE	GASKET	SEAL	O RING CASE	O RING VOLUTE	FRONT COVER	DELIVERY HOUSING	HEAD PACKING
KTH-50X	0115446	0115839	0115780	0118079 050-607	0118450 050-973	N/A	0115489	0115447	0115840	0115490	0115159	0115579	0115676	0115545	0115445	0115548
KTH-80X	0115546	0111573	0115692	0118079 050-607	0118450 050-973	N/A	0115559	0115558	0115838	0110584	0115678	0115579	0115676	0115545	0115547	0115548
KTH-100X	0116150	0116268	0118261	0118079 050-607	0118450 050-973	N/A	0116488	0115626	0116188	0110750	0115678	0115579	0116270	0116490	0116148	0115548



## THERMOPLASTIC PUMP SPARES

**C**

PART -	1	2	3	5a	5b	6	7	8	9	10	14	19	20	60	61	62
MODEL	PUMP CASE	SUCTION FLANGE	CHECK VALVE	DRAIN BUNG	FILLER BUNG	FLANGE BRACKET	VOLUTE	IMPELLER	DELIVERY FLANGE	GASKET	SEAL	O RING CASE	O RING VOLUTE			
PGH-50	0130024	N/A	0130009	050-604	050-604	0130002	0130003	0130004	N/A	N/A	0130011	0130005	0130008	N/A	N/A	N/A



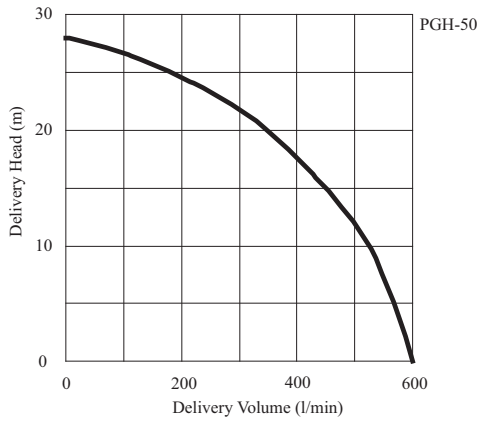
# ENGINE DRIVEN PUMPS

## PETROL POWERED THERMOPLASTIC PUMPS RECOIL START C/W FULL CRASH FRAME & WHEEL KIT

**C**

Thermoplastic pumps with oil alert for salt water chemicals and fertilizers etc.

Model	Engine	Inlet/Outlet	kg	W x L x H mm	Max l/min	Max Head/m	Code	Price
PGH-50	HONDA GX120	2" x 2"	22	506 x 402 x 476	600	28	050-024	



## DIESEL POWERED THERMOPLASTIC PUMPS RECOIL START C/W FULL CRASH FRAME & WHEEL KIT

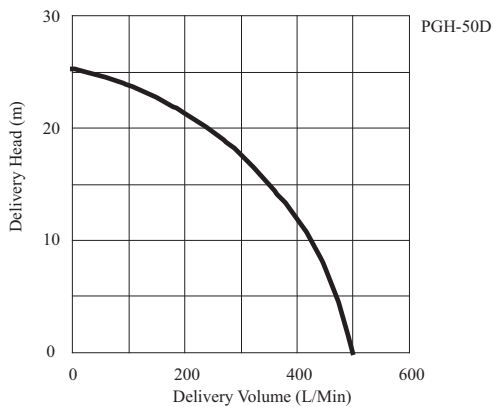
**C**

Model	Engine	Inlet/Outlet	kg	W x L x H mm	Max l/min	Max Head/m	Code	Price
PGH-50D	ROBIN DY23	2" x 2"	50	700 x 800 x 710	480	22	050-024D-DY23	
PGH-50DHR	HATZ 1B20	2" x 2"	58	700 x 800 x 710	480	22	050-024DHR	

## DIESEL POWERED THERMOPLASTIC PUMPS ELECTRIC START C/W FULL CRASH FRAME & WHEEL KIT

**C**

Model	Engine	Inlet/Outlet	kg	W x L x H mm	Max l/min	Max Head/m	Code	Price
PGH-50DHES	HATZ 1B20	2" x 2"	58	700 x 800 x 710	480	22	050-024DHES	



Available with Yanmar engine  
subject to availability

# ENGINE DRIVEN PUMPS

## DIESEL ENGINE POWERED DIESEL TRANSFER PUMPS RECOIL START C/W FULL CRASH FRAME & WHEEL KIT

**C**

MODEL	ENGINE	INLET/ OUTLET	KG	H x W x L	MAX l/min	MAX Head/m	CODE	PRICE
RED B2KQA HR	Hatz1B20	2"x2"	50	820x700x1030	420	20	070-200HR	
RED B3KQA HR	Hatz1B30	3"x3"	60	820x700x1030	870	17	070-300HR	

## DIESEL ENGINE POWERED DIESEL TRANSFER PUMPS ELECTRIC START C/W FULL CRASH FRAME & WHEEL KIT

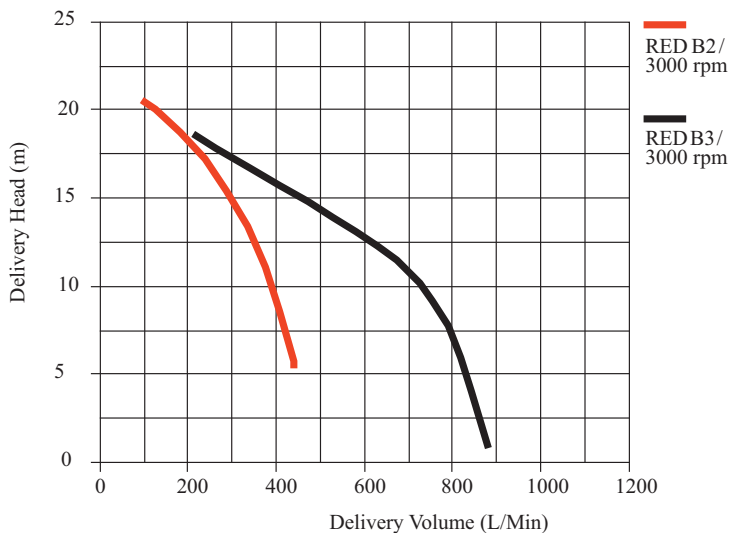
**C**

MODEL	ENGINE	INLET/ OUTLET	KG	H x W x L	MAX l/min	MAX Head/m	CODE	PRICE
RED B2KQA HE	Hatz1B20	2"x2"	50	820x700x1030	420	20	070-200HE	
RED B3KQA HE	Hatz1B30	3"x3"	60	820x700x1030	870	17	070-300HE	

Heavy duty diesel powered diesel transfer pump in full crash frame. Complete with spark arrestor. Viton seals and o rings.



RED B2KQA HE



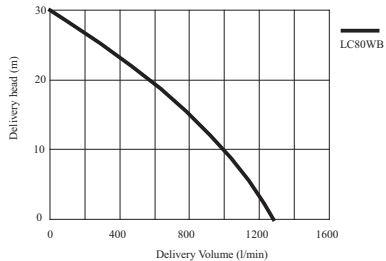
Available with Yanmar engine subject to availability



# TRASH DUTY ENGINE PUMP WITH OIL ALERT

**C**

Model	Engine	Inlet/ Outlet	kg	W x L x H mm	Max l/min	Max Head/m	Code	Price
LC 80WB	LONCIN G200	3"	36	480 x 590 x 440	1250	30	LC 80WB	



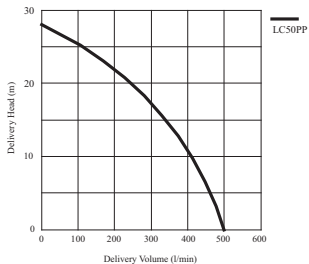
LCWB30



# THERMOPLASTIC CENTRIFUGAL ENGINE PUMP WITH OIL ALERT

C

Model	Engine	Inlet/ Outlet	kg	W x L x H mm	Max l/min	Max Head/m	Code	Price
LC 50PP	LONCIN G160	2"	36	430x550x380	500	28	LC 50PP	



LC50PP

