

PRATIKA

MULTISTAGE CENTRIFUGAL SUBMERSIBLE PUMPS FOR CLEAR WATER

The PRATIKA submersible pumps are portable and ready to use for installation in traditional wells, water deposits, collection tanks, clear watercourses, lakes etc. Equipped with Ø 32 hose adapter. Automatic version equipped with float switch.



Applications

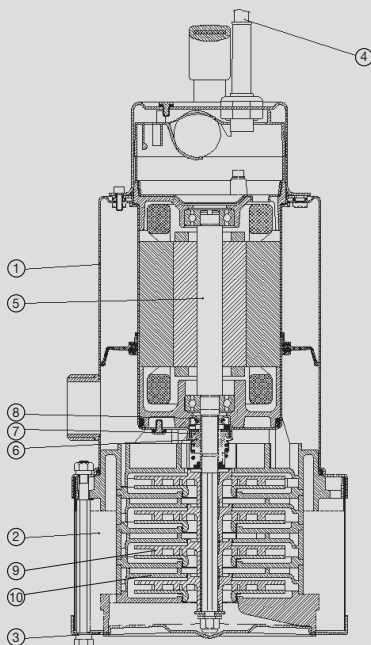
- Pumping of water from traditional wells
- Domestic tank installations for boosting domestic drinking water systems
- Small-scale automatic systems for garden irrigation
- Surface irrigation

Motor

- Dry motor
- Level of protection IP 68
- Class F insulation
- Single phase supply with capacitor permanently activated
- Thermal protection built into the motor winding
- Completely insulated cable connection chamber
- Self-lubricating ball bearings
- Speed of rotation 2850 rpm
- Suitable for continuous use

Usage limitations

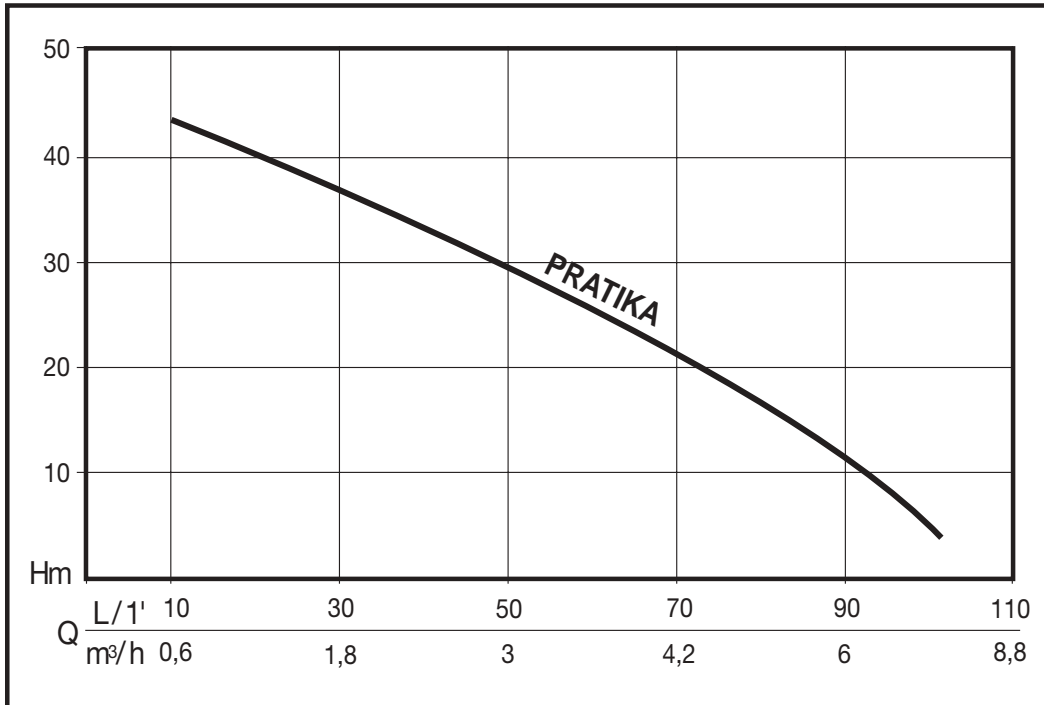
- Type of liquid: clean water with no suspended solids or abrasive material
- Maximum liquid temperature 40° C
- Maximum submersion under the water level 10 m



DESIGN FEATURES

| Component | Material | |
|-------------------------|---|----------------------------------|
| 1 Pump body | X 5 CrNi 1810 (AISI 304) Stainless steel | |
| 2 Suction grid | X 5 CrNi 1810 (AISI 304) Stainless steel | |
| 3 Suction base | X 5 CrNi 1810 (AISI 304) Stainless steel | |
| 4 Power cable | 15 m H07 RN-F With schuko plug | |
| 5 Shaft (hydraulic end) | X 5 CrNi 1810 (AISI 304) Stainless steel with ceramic facing at the points of seal wear | |
| 6 Mechanical seal | Graphite | Oil chamber for seal lubrication |
| 7 Counterface | Ceramic | |
| 8 Lip seal | NBR 70 Rubber | |
| 9 Impeller | Technopolymer | |
| 10 Diffuser | Technopolymer | |

TABLE OF HYDRAULIC PERFORMANCE



PUMP PERFORMANCE

| CODE | MODEL | Nominal Power | | Absorbed Power | | VOLTAGE | Amp. | µF. | N' Stadi | Q | L/1' | | | | | |
|------------|---------------|---------------|-----|----------------|-----|-----------|------|-----|----------|--------------------------|------|-----|-----|-----|-----|-----|
| | | HP | kW | HP | kW | | | | | | 0 | 20 | 40 | 60 | 80 | 100 |
| N3051010-B | PRATIKA | 1,1 | 0,8 | 1,6 | 1,2 | 1 ~ 230 V | 5 | 16 | 4 | Discharge head in meters | 0 | 20 | 40 | 60 | 80 | 100 |
| N3051000-B | PRATIKA - AUT | | | | | | | | | | 0 | 1,2 | 2,4 | 3,6 | 4,8 | 6 |

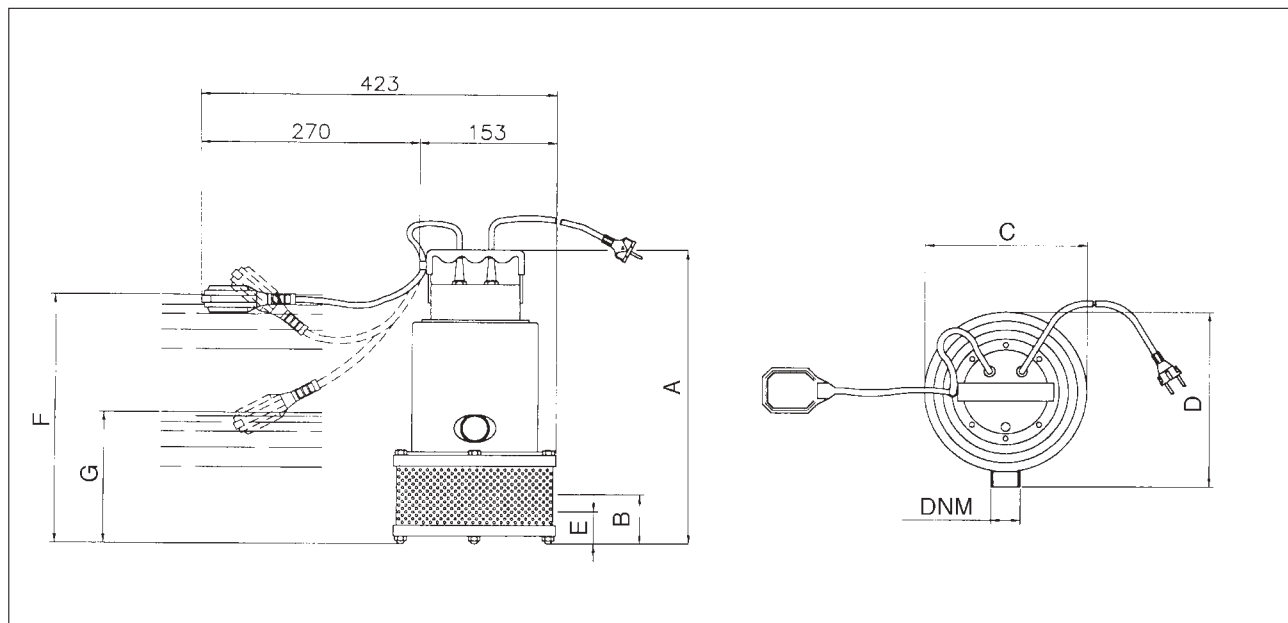


TABLE OF SIZES AND WEIGHTS

| Model | Dimensions mm. | | | | | | | | | Weight kg |
|---------|----------------|-----|-----|-----|------------------------------|-------------------|------------------|------------------|--------|--------------|
| | A | B | Ø C | D | Minimum drainage level E* | Start level F* | Stop level G* | Free bore DNM | | |
| PRATIKA | 406 | 162 | 178 | 182 | 50/60 | 490 | 260 | Ø 1,5 | 1" 1/4 | 9 |

* Start and stop level refers to the version equipped with floating switch
The minimum drainage level refers to the manual version